



Built-in Induction Hob

Model : CI-58S3BX

User Manual

Please read these instructions carefully before installing and operating the oven and retain this information for future reference.

Dear clients,

Thank you for having chosen our induction ceramic hob.
In order to make the best use of your appliance, we would advise you to read carefully the following notes and to keep them for a later consulting.

SUMMARY

SAFETY	3
PRECAUTIONS BEFORE USING.....	3
USING THE APPLIANCE.....	3
PRECAUTIONS NOT TO DAMAGE THE APPLIANCE.....	4
PRECAUTIONS IN CASE OF APPLIANCE FAILURE.....	4
OTHER PROTECTIONS.....	4
DESCRIPTION OF THE APPLIANCE	5
TECHNICAL CHARACTERISTICS.....	5
CONTROL PANEL.....	5
USE OF THE APPLIANCE	5
DISPLAY.....	5
VENTILATION.....	6
STARTING-UP AND APPLIANCE MANAGEMENT	6
BEFORE THE FIRST USE.....	6
INDUCTION PRINCIPLE.....	6
SENSITIVE TOUCH.....	6
STARTING-UP.....	6
PAN DETECTION.....	7
RESIDUAL HEAT INDICATION.....	7
BOOSTER FUNCTION.....	7
TIMER.....	7
CONTROL PANEL LOCKING.....	8
COOKING ADVICES	9
PAN QUALITY.....	9
PAN DIMENSION.....	9
EXAMPLES OF COOKING POWER SETTING.....	10
MAINTENANCE AND CLEANING	10
WHAT TO DO IN CASE OF A PROBLEM	11
ENVIRONMENT PRESERVATION	12
INSTALLATION INSTRUCTIONS	13
ELECTRICAL CONNECTION	14

SAFETY

Precautions before using

- Unpack all the materials.
- The installation and connecting of the appliance have to be done by approved specialists. The manufacturer would not be responsible for damage caused by building-in or connecting errors.
- To be used, the appliance must be well-equipped and installed in a kitchen unit and an adapted and approved work surface.
- This domestic appliance is exclusively for the cooking of food, to the exclusion of any other domestic, commercial or industrial use.
- Remove all labels and self-adhesives from the ceramic glass.
- Do not change or alter the appliance.
- The cooking plate would not be used as freestanding or as working surface.
- The appliance must be grounded and connected conforming to local standards.
- Do not use any extension cable to connect it.
- The appliance would not be used above a dishwasher or a tumble-dryer: steam may damage the electronic appliances.

Using the appliance

- Switch the heating zones off after using.
- Keep an eye on the cooking using grease or oils: that may quickly ignite.
- Be careful not to burn yourself while or after using the appliance.
- Make sure no cable of any fixed or moving appliance contacts with the glass or the hot saucepan.
- Magnetically objects (credit cards, floppy disks, calculators) should not be placed near to the engaged appliance.
- Metallic objects such as knives, forks, spoons and lids should not be placed on the hob surface since they can get hot.
- In general do not place any metallic object except heating containers on the glass surface. In case of untimely engaging or residual heat, this one may heat, melt or even burn.
- Never cover the appliance with a cloth or a protection sheet. This is supposed to become very hot and catch fire.
- This appliance is not intended for use by persons (including children) with reduced physical, sensory or mental capabilities, or lack of experience and knowledge, unless they have been given supervision or instruction concerning use of the appliance by a person responsible for their safety.
- Children should be supervised to ensure that they do not play with the appliance.

Precautions not to damage the appliance

- Raw pan bottoms or damaged saucepans (not enameled cast iron pots,) may damage the ceramic glass.
- Sand or other abrasive materials may damage ceramic glass.
- Avoid dropping objects, even little ones, on the ceramic glass.
- Do not hit the edges of the glass with saucepans.
- Make sure that the ventilation of the appliance works according to the manufacturer's instructions.
- Do not put or leave empty saucepans on the induction hobs.
- Sugar, synthetic materials or aluminum sheets must not contact with the heating zones. These may cause breaks or other alterations of the ceramic glass by cooling: switch on the appliance and take them immediately out of the hot heating zone (be careful: do not burn yourself).
- Never place any hot container over the control panel.
- If a drawer is situated under the embedded appliance, make sure the space between the content of the drawer and the inferior part of the appliance is large enough (2 cm). This is essential to guaranty a correct ventilation.
- Never put any inflammable object (ex. sprays) into the drawer situated under the induction hob. The eventual cutlery drawers must be resistant to heat.

Precautions in case of appliance failure

- If a defect is noticed, switch on the appliance and turn off the electrical supplying.
- If the ceramic glass is cracked or fissured, you must unplug the appliance and contact the after sales service.
- Repairing has to be done by specialists. Do not open the appliance by yourself.
- **WARNING:** If the surface is cracked, switch off the appliance to avoid the possibility of electric shock.

Other protections

- Note sure that the container pan is always put in center of the cooking zone. The bottom of the pan must have to cover as much as possible the cooking zone.
- For the users of pacemaker, the magnetic field could influence its operating. We recommend getting advice and information from the doctor.
- Do not to use aluminum or synthetic material containers: they could melt on still hot cooking zones.



THE USE OF EITHER POOR QUALITY POT OR ANY INDUCTION ADAPTOR PLATE FOR NON-MAGNETIC COOKWARE RESULTS IN A WARRANTY BREACH. IN THIS CASE, THE MANUFACTURER CANNOT BE HELD RESPONSIBLE FOR ANY DAMAGE CAUSED TO THE HOB AND/OR ITS ENVIRONMENT.



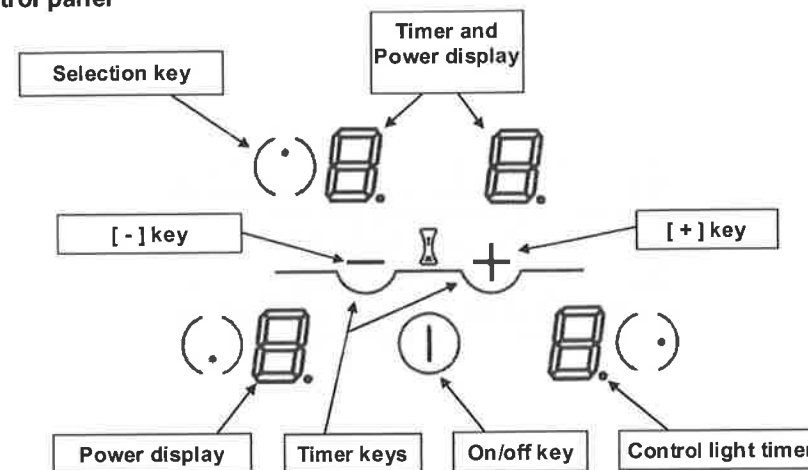
DESCRIPTION OF THE APPLIANCE

Technical characteristics

Model	Total Power	Position of the heating zone	Diameter	Nominal Power*	Booster Power*
CI-58S3BX	6400 W	Front left Rear left Right	190 mm 160 mm 240 mm	1400 W 1400 W 2300 W	2000 W - 3000 W

* Average measured power. According to the form, size and quality of the pan, the maximum measured power can exceed these figures.

Control panel



USE OF THE APPLIANCE

Display

Display	Designation	Function
0	Zero	The heating zone is activated.
1...9	Power level	Selection of the cooking level.
U	Pan detection	No pan or inadequate pan.
E	Error message	Electronic failure.
H	Residual heat	The heating zone is hot.
P	Booster	The boosted power is activated.
L	Locking	Control panel locking.

Ventilation

The cooling system is fully automatic. The cooling fan starts with a low speed when the calories brought out by the electronic system reach a certain level. The ventilation starts his high speed when the hob is intensively used. The cooling fan reduces his speed and stops automatically when the electronic circuit is cooled enough.

STARTING-UP AND APPLIANCE MANAGEMENT

Before the first use

Clean your hob with a damp cloth, and then dry the surface thoroughly. **Do not** use detergent which risks causing blue-tinted colour on the glass surface.

Induction principle

An induction coil is located under each heating zone. When it is engaged, it produces a variable electromagnetic field which produces inductive currents in the ferromagnetic bottom plate of the pan. The result is a heating-up of the pan located on the heating zone.

Of course the pan has to be adapted:

- All ferromagnetic pans are recommended (please verify it thanks a little magnet): cast iron and steel pans, enamelled pans, stainless-steel pans with ferromagnetic bottoms...
- Are excluded: copper, pure stainless-steel, aluminium, glass, wood, ceramic, stoneware,...

The induction heating zone adapts automatically the size of the pan. With a too small diameter the pan doesn't work. This diameter is varying in function of the heating zone diameter. If the pan is not adapted to the induction hob the display will show [U].

Sensitive touch

Your ceramic hob is equipped with electronic controls with sensitive touch keys. When your finger presses the key, the corresponding command is activated. This activation is validated by a control light, a letter or a number in the display and/or a "beep" sound.

In the case of a general use press only one key at the same time.

Starting-up

You must first switching on the hob, then the heating zone:

- **Start-up/ switch off the hob :**

Action	Control panel	Display
To start	Press key [⏻]	3 x [0]
Switch off	Press key [⏻]	Nothing or [H]

- **Start-up/ switch off a heating zone :**

Action	Control panel	Display
Zone selection	Press key [🔍] from the zone	[0]
Increase power	Press key [+]	[1] to [9]
Decrease power	Press key [-]	[9] to [1]
Stop	Press simultaneous [-] and [🔍] or press keys [-]	[0] or [H] [0] or [H]

If no action is made within 20 second the electronics returns in waiting position.

Pan detection

The pan detection ensures a perfect safety.

The induction doesn't work:

- If there is no pan on the heating zone or if this pan is not adapted to the induction. In this case it is impossible to increase the power and the display shows [U]. This symbol disappears when a pan is put on the heating zone.
- If the pan is removed from the heating zone the operation is stopped. The display shows [U]. The symbol [U] disappears when the pan is put back to the heating zone. The cooking continues with the power level setting before.

Residual heat indication

After the switch off of a heating zone or the complete stop of the hob, the heating zones are still hot and indicates [H] on the display.

The symbol [H] disappears when the heating zone may be touched without danger.

As far as the residual heat indicators are on light, don't touch the heating zones and don't put any heat sensitive object on them. **There are risks of burn and fire.**

Booster function

The booster function [P] grants a boost of power to the selected heating zone.

If this function is activated the heating zone works with an ultra high power for 10 minutes.

The booster is foreseen for example to heat up rapidly big quantities of water, like noodles cooking.

- **Start up / Stop the booster function :**

Action	Control panel	Display
Zone selection	Press key [🔍] from the zone	[0]
Increase power	Press key [+]	[1] to [9]
Start up the booster	Press key [+]	[P]
Stop the booster	Press key [-]	[9]

- **Power management :**

The whole cooking hob is equipped by a maximum power limited control. When the booster function is activated, in order not to exceed the maximum power, the electronic system orders to reduce the power level of another heating zone automatically. The display is blinking on [9] during a few seconds and then shows the maximum of power allowed ([6] or [8]).

Heating zone selected [P] is displayed The other heating zone: (example: power level 9) [9] goes to [7] depending the type of zone

Timer

The timer is able to be used simultaneous with all 3 heating zones and this with different time settings (from 0 to 99 minutes) for each heating zone.

- **Setting and modification of the cooking time :**

Action	Control panel	Display
Zone selection	Press key [🔍] from the zone	[0]
Increase power	Press key [+]	[1] to [9]
To select « Timer »	Press simultaneously [-] and [+]	Timer [00] min
Decrease the time	Press key [-]	[00] go to 30,29....
Increase the time	Press key [+]	time increase

After a few seconds the control light stops with blinking.

The time is confirmed and the cooking starts until the time count down reaches [00].

- **To stop the cooking time :**

Action	Control panel	Display
Zone selection	Press key [(.)] key	[0]
To select « Timer »	Press simultaneously [-] and [+]	The remaining time
To stop the « Timer »	Press key [-]	[00] then stops

If several timers are activated repeat the process.

- **Automatic stop at the end of the cooking time :**

As soon as the selected cooking time is finished the timer displays blinking [00] and a sound rings. To stop the sound and the blinking it is enough to press any key.

- **Egg timer function :**

Action	Control panel	Display
Activate the hob	Press key [(I)]	3 x [0] or [H]
Select « Timer »	Press simultaneously [-] and [+]	Timer [00] min
Decrease the time	Press key [-]	[00] go to 30,29....
Increase the time	Press key [+]	time increase

After a few seconds the control light stops with blinking.

As soon as the selected cooking time is finished the timer displays blinking [00] and a sound rings. To stop the sound and the blinking it is enough to press any key.

Control panel locking

To avoid modifying a setting of cooking zones , in particular with within the framework of cleaning the control panel can be locked (with exception to the On/Off key [(I)]).

- **Locking :**

Action	Control panel	Display
Start	Press key [(I)]	3 x [0] or [H]
Hob locking	Press simultaneously [-] and [(.)] at front right Repress key [(.)]	No modification 3 or 4 x [L]

- **Unlocking :**

Action	Control panel	Display
Start	Press key [(I)]	3 x [L]
within 5 seconds after start Unlocking the hob	Press simultaneously [-] and [(.)] at front right Repress key [-]	3 x [0] No light on the displays

COOKING ADVICES

Pan quality

Adapted materials : steel, enamelled steel, cast iron, ferromagnetic stainless-steel, aluminium with ferromagnetic bottom.

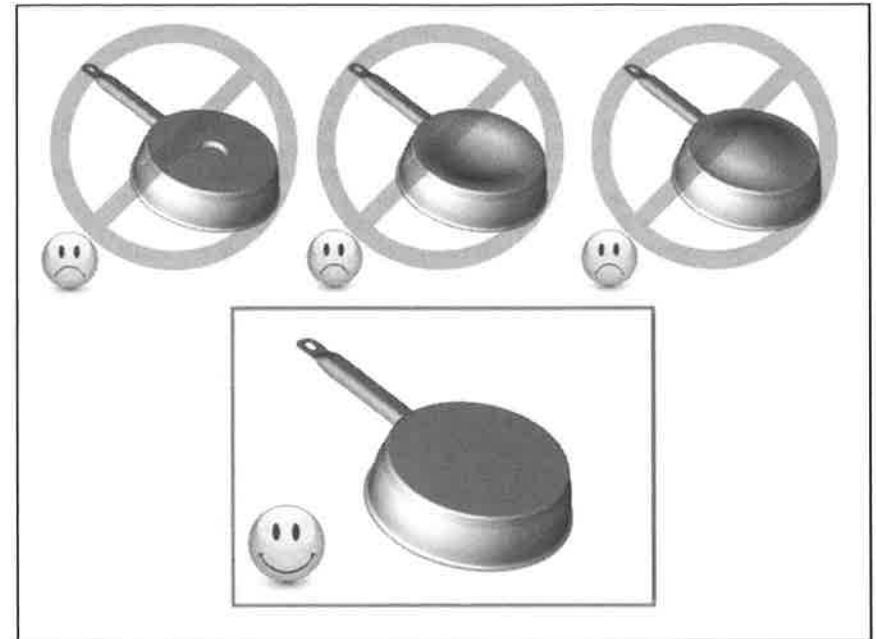
Not adapted materials : aluminium and stainless-steel without ferromagnetic bottom, copper, brass, glass, ceramic, porcelain.

The manufacturers specify if their products are compatible induction.

To check if pans are compatibles:

- Put a little water in a pan placed on an induction heating zone set at level [9]. This water must heat in a few seconds.
- A magnet can be stuck on the bottom of the pan.

Certain pans can make noise when they are placed on an induction cooking zone. This noise doesn't mean any failure on the appliance and doesn't influence the cooking operating.



Pan dimension

The cooking zones are, until a certain limit, automatically adapted to the diameter of the pan. However the bottom of this pan must have a minimum of diameter according to the corresponding cooking zone.

To obtain the best efficiency of your hob, please place the pan well in the centre of the cooking zone.

Examples of cooking power setting

(the values below are indicative)

1 to 2	Melting Reheating	Sauces, butter, chocolate, gelatine Dishes prepared beforehand
2 to 3	Simmering Defrosting	Rice, pudding, sugar syrup Dried vegetables, fish, frozen products
3 to 4	Steam	Vegetables, fish, meat
4 to 5	Water	Steamed potatoes, soups, pasta, fresh vegetables
6 to 7	Medium cooking Simmering	Meat, liver, eggs, sausages Goulash, roulade, tripe
7 to 8	Cooking	Potatoes, fritters, wafers
9	Frying, roasting, boiling water	Steaks, omelettes, fried dishes, water
P	Frying, roasting Boiling water	scallops, steaks Boiling significant quantities of water

MAINTENANCE AND CLEANING

Switch-off the appliance before cleaning.

Do not clean the hob if the glass is too hot because they are **risk of burn**.

- Remove light marks with a damp cloth with washing up liquid diluted in a little water. Then rinse with cold water and dry the surface thoroughly.
- Highly corrosive or abrasive detergents and cleaning equipment likely to cause scratches must be absolutely avoided.
- Do not ever use any steam-driven or pressure appliance.
- Do not use any object that may scratch the ceramic glass.
- Ensure that the pan is dry and clean. Ensure that there are no grains of dust on your ceramic hob or on the pan. Sliding rough saucepans will scratch the surface.
- Spillages of sugar, jam, jelly, etc. must be removed immediately. You will thus prevent the surface being damaged.

WHAT TO DO IN CASE OF A PROBLEM

When the symbol [E 4] appears :

I) The table must be reconfigured. Please implement the following steps:

Important: before you start

- make sure there is no more pot on the induction hob
- take a pot with a ferromagnetic bottom and a minimum diameter of 16 cm
- disconnect the appliance from the grid by removing the fuse or turning the circuit breaker off
- start the procedure within 2 minutes after reconnecting the hob to the grid
- reconnect the table to the grid
- don't use the [Ⓢ] touch

II) First step : cancel the existing configuration

1) Press [-] and hold down

2) With your other hand, press successively and quickly (less than 2s) on each [Ⓢ] key.

Begin from the front right side and turn Anti-clockwise, as described on the picture (from a to d).

A double "beep" means an error occurred. If so, start again from item 1).

3) Remove your fingers from the touch control, press simultaneously [+] and [-] holds few seconds, until blinking [E] symbols appear.

4) Wait until [E] symbols stop blinking.

5) After few seconds, [E] are automatically transformed in [C]. The existing setup has been cancelled.

Note: For induction hobs with 3 cooking zones, The rear right zone (b) doesn't exist, so push 2 times on the front right zone (a) that means (a → a → c → d).

III) Second step: new setup

1) Take a ferromagnetic pot with a minimum diameter of 16 cm

2) Select a cooking zone by pushing on the corresponding [Ⓢ] key

3) Place the pot on the area to be set

4) Wait until the [C] display becomes a [-]. The selected zone is now configured.

5) Follow the same procedure for each cooking zone with a [C] display.

6) All the cooking zones are configured once all the displays are turned off.

Please use the same pot for the whole procedure.

Never put several pots together on the zones during the setup-process.

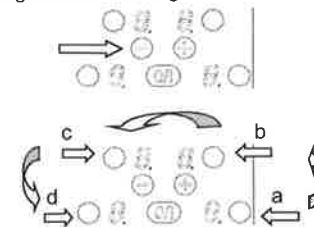
- If [E 4] still displaying, please call the customer care

The hob or the cooking zone doesn't start-up:

- The hob is badly connected on the electrical network.
- The protection fuse cut-off.
- The locking function is activated.
- The sensitive keys are covered with grease or water.
- An object is put on a key.

The control panel displays [U] :

- There is no pan on the cooking zone.
- The pan is not compatible with induction.
- The bottom diameter of the pan is too small.



The control panel displays [C] or [E]:

- Call the After-sales Service.

One or all cooking zone cut-off:

- The safety system functioned.
- You forgot to cut-off the cooking zone for a long time.
- One or more sensitive keys are covered.
- The pan is empty and its bottom overheated.
- The hob also has an automatic reduction of power level and breaking Automatic overheating

Continuous ventilation after cutting off the hob:

- This is not a failure, the fan continuous to protect the electronic device.
- The fan cooling stops automatically.

The control panel displays [L]:

- Refer to the chapter control panel locking page.

ENVIRONMENT PRESERVATION

- The materials of packing are ecological and recyclable.
- The electronic appliances are composed of recyclable, and sometimes harmful materials for the environment, but necessary to the good running and the safety of the appliance.

- Don't throw your appliance with the household refuses
- Get in touch with the waste collection centre of your commune that is adapted to the recycling of the household appliances.



INSTALLATION INSTRUCTIONS

The installation comes under the exclusive responsibility of specialists.

The installer is held to respect the legislation and the standards enforce in his home country.

How to stick the gasket:

The gasket supplied with the hob avoids all infiltration of liquids in the cabinet. His installation has to be done carefully, in conformity of the following drawing.



Stick the gasket (2) two millimeters from the external edge of the glass, after removing the protection sheet (3).

Fitting - installing:

- The cut out sizes are:

Reference	Cut-size
CI-58S3BX	560 x 490 mm

- **Ensure that there is a distance of 50 mm between the hob and the wall or sides.**
- **The hobs are classified as "Y" class for heat protection. Ideally the hob should be installed with plenty of space on either side. There may be a wall at the rear and tall units or a wall at one side. On the other side, however, no unit or divider must stand higher than the hob.**
- The piece of furniture or the support in which the hob is to be fitted, as well as the edges of furniture, the laminate coatings and the glue used to fix them, must be able to resist temperatures of up to 100 °C.
- The side walls materials must be heat-resisting.
- Not to install the hob to the top of a not ventilated oven or a dishwasher.
- To guarantee under the bottom of the hob casing a space of 20 mm to ensure a good air circulation of the electronic device.
- If a drawer is placed under the hob, avoid to put into this drawer with flammable objects (for example: sprays) or not heat-resistant objects.
- wooden worktops are easy expand or damage in contact with water. To protect the cut out edge, apply a coat of varnish or special sealant. Particular care must be given to applying the adhesive joint supplied with the hob to prevent any leakage into the supporting furniture. This gasket guaranties a correct seal when used in conjunction with smooth work top surfaces.
- The safety gap between the hob and the cooker hood placed above must respect the indications of the hood manufacturer. In case of absence of instructions respect a distance minimum of 650 mm.

ELECTRICAL CONNECTION

- The installation of this appliance and the connection to the electrical network should be carry by qualified persons and meet to the local regulations and standard.
- Protection against the parts under tension must be ensured after the building-in.
- The electric power connection method sticker is place on the hob casing near the connection box.
- The connection to the main must be made using an earthed plug or via fused spur with proper earth connection.
- The electrical circuit must be separated from the network by adapted devices, for example: circuit breakers, fuses or contactors.

Caution!

This appliance has only to be connected to a network 220 - 230 V~ 50/60 Hz.

Always connected with earth wire.

Respect the connection diagram.

The connection box is located underneath at the back of the hob casing. To open the cover use a medium screwdriver. Place it in the slits and open the cover.

Mains	Connection	Cable diameter	Cable	Protection calibre
220-230V~ 50/60Hz	1 Phase + N	3 x 2,5 mm ²	H 05 VV - F H 05 RR - F	25 A *
380-400V~ 50/60Hz	2 Phases + N	4 x 1.5 mm ²	H 05 VV - F H 05 RR - F	16 A *

* calculated with the simultaneous factor following the standard EN 60 335-2-6/1990

Connection of the hob

Setting up the configurations:

For the various kinds of connection, use the brass bridges which are in the box next the terminal

Monophase 220-230V~1P+N

Put a bridge between terminal 1 and 2.

Attach the earth to the terminate "earth", the neutral N to terminal 4, the Phase L to one of the terminals 1 or 2.

Biphase 380-400V~2P+N

Put a bridge between terminal 3 and 4.

Attach the earth to the terminate "earth", the neutral N to terminal 4 or 3, the Phase L1 to the terminals 1 and the Phase L2 to the terminal 2.

Caution! Frequent loosening and screwing of the screws on the connection box risks damaging the efficiency of the tightness once screwed. It is therefore advisable to keep screwing and unscrewing to a minimum.
Ensure that the cables are correctly inserted and tightly screwed down.

We cannot be held responsible for any incident resulting from incorrect connection or which could arise from the use of an appliance which has not been earthed or has been equipped with a faulty earth connection.